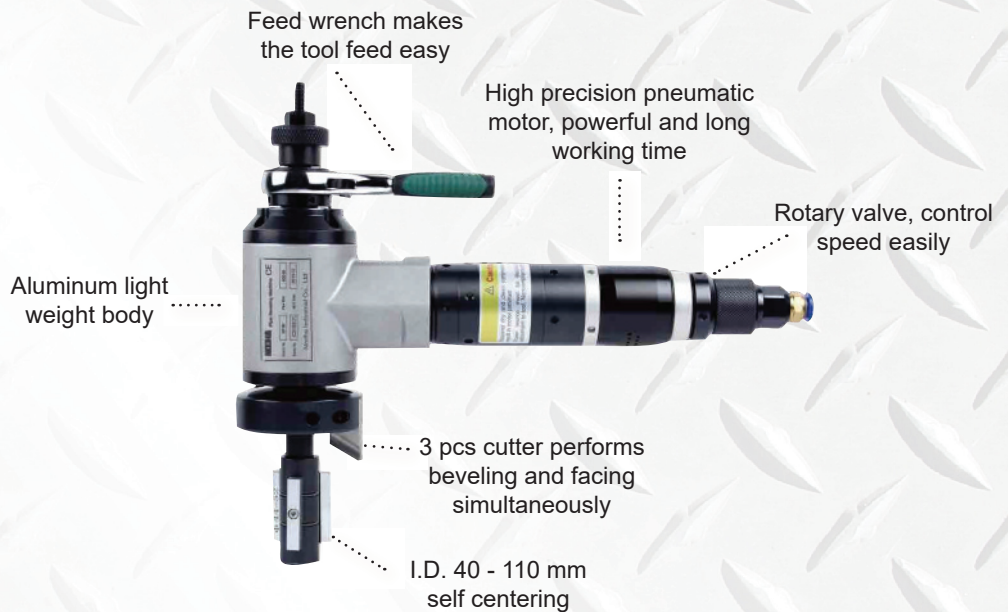


Pneumatic Pipe Beveler IDP120 / IDB120

The ID-Mounted beveling operation use an expandable mandrel which is insert into the open end of the pipe. Tighten draw nut extend the expanding blocks and against the ID surface for positive mounting, self centered and squared to the bore. As the tool bit is fed into the pipe from the end, a bevel is finished which conforms to the bevel angle required. Bits are available for practically any material or beveling angle required, and bits can be custom made for any form tooling operation.

FEATURES

- Right angle tool rigidly mounts to tube I.D
- Can be positioned in any direction
- Self centering clamping system
- Easy setup and operation



Cutting tool bits sold separately

Part Number	Description
IDP120	Pneumatic Inner Diameter Mounted Pipe Beveler
IDB120	Bosch Inner Diameter Mounted Pipe Beveler
42F-0822	Facing Tool Bit
42B-0822-37	Beveling Tool Bit 37°
42B-0822-30	Beveling Tool Bit 30°

Model	IDP120	IDB120
Driven	Pneumatic	Electric (Bosch Motor)
Power Supply	900L/Min@0.6Mpa	220 - 240V 50/60HZ 1HP
Motor Power	1 HP	1000W
Clamping Range (ID)	40-110 mm	40-110 mm
Working Range (OD)	114.3mm (4")	114.3mm (4")
Wall thickness	≤ 15 mm	≤ 15 mm
Rotation Speed	68 r/min	38 r/min
Working Weight	12.5 kgs	16 kgs
Shipping Weight	24 kgs	27 kgs
Shipping Size	61 x 52 x 21 cm	61 x 52 x 21 cm