

# SUMNER

## ADJUST A ROLL

- 1/2 to 36" (1.2 to 91 cm) or 2000 lb (900 kg) pipe capacity.
- Clean and simple design avoids welder interference
- Bronze bearing to eliminate arcing

Interchangeable heads to match the job (see below options)

Handle large enough to work with gloved hand

Roller adjustment from either side

Fits 1/2" to 36" (1.2 to 91 cm) pipe

Wheels trued for true pipe rotation

Brake to lock loads for layout or fit-up

Quick change design increases roller stand utility



Lo Adjust-A-Roll  
21" (61 cm)



Table Adjust-A-Roll



Hi Adjust-A-Roll  
31" (80 cm)

23"  
(58.5 cm)

31"  
(80 cm)



783151- Carbon Steel Roller Head  
783153 - Stainless Steel Roller Head



783152- Rubber Wheel  
Roller Head



783154 - Ball Transfer  
Roller Head



783155 - Bar Stock Head

### Hi Adjust-A-Roll 34" (80 cm)

Part No	Description
780365	Includes Roller Wheels
780366	Includes Ball Transfer Heads
780367	Includes Rubber Wheels
780368	Includes Roller Wheels
780369	Includes Bar Stock Head
780399	Hi Adjust-A-Roll (base only)

### Lo Adjust-A-Roll 24" (61 cm)

Part No	Description
780370	Includes Roller Wheels
780371	Includes Ball Transfer Heads
780372	Includes Rubber Wheels
780373	Includes Roller Wheels
780359	Includes Bar Stock Head
780405	Lo Adjust-A-Roll (base only)

### Table Adjust-A-Roll

Part No	Description
780360	Includes Alum Roller Wheels
780361	Includes Ball Transfer Head
780362	Includes Rubber Wheels
780363	Includes Roller Wheels
780364	Includes Bar Stock Head
780500	Table Adjust-A-Roll (base only)

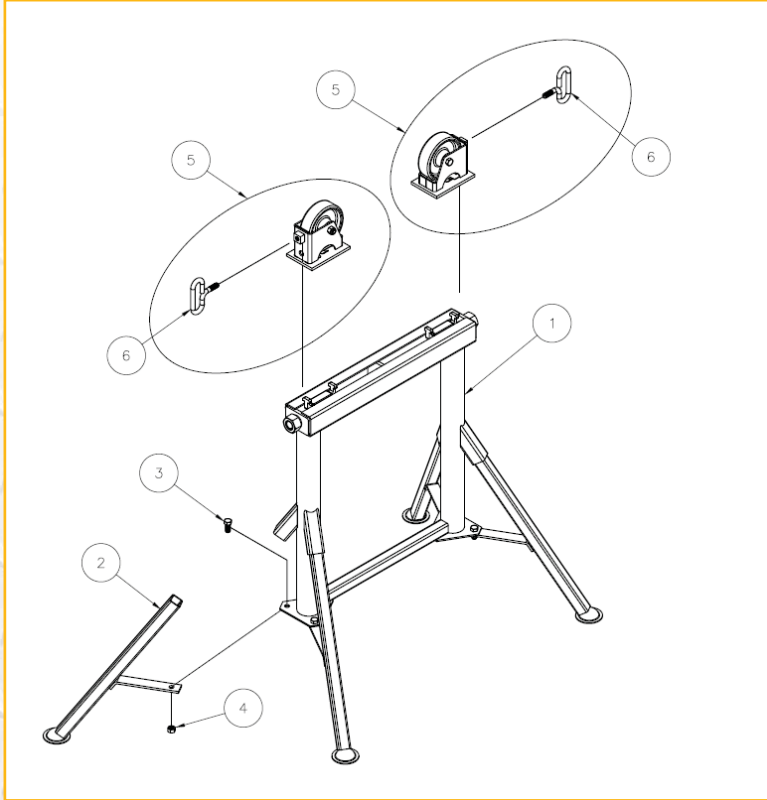


INDEPENDENT WHOLESALE WELDING SUPPLY

Ph: 02 8834 2400 Fax: 02 8834 2498 Email: iwws@iwws.net Website: www.iwws.net

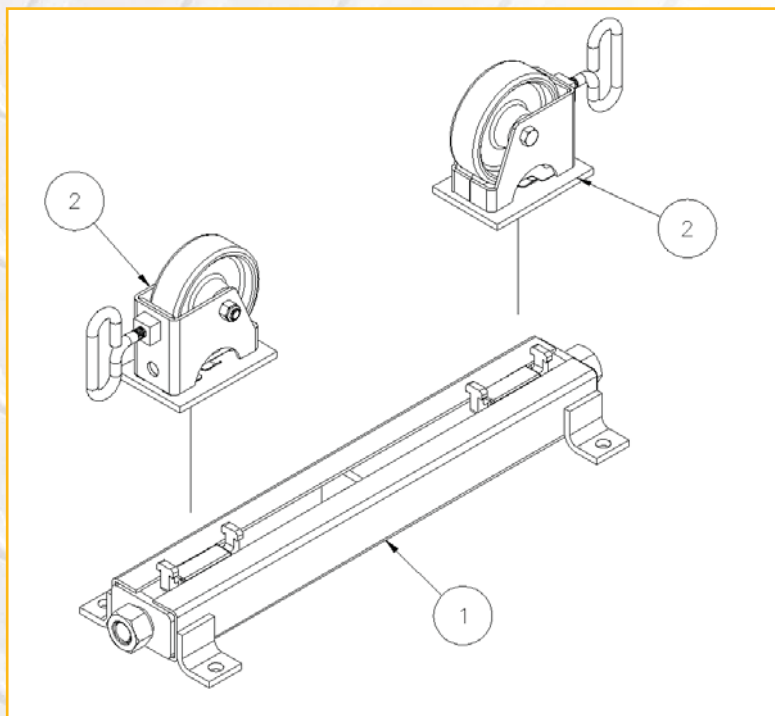
# SUMNER

## ADJUST A ROLL PARTS



### Hi & Lo Adjust-A-Roll Parts

	Part No	Description
1	780433-KD	Tube & Barrel Weldment (suits Lo Roll)
	780436-KD	Tube & Barrel Weldment (Hi Roll)
2	780675-KD	Leg Weldmet, Knock Down Jack
3	771106	Screw, HHC 3/8-16 X 7/8"
4	772355	Nut, Insert Lock 3/8-16"
5	783151	Q.C.Roll HSG with Roller Wheels (1 PR)
	783152	Q.C.Roll HSG with Rubber Wheels (1 PR)
	783153	Q.C.Roll HSG with Stainless Steel Wheels (1 PR)
	783154	Q.C.Ball-Transfer Head (1 PR)
	783155	Quick Change Barstock Head
	783159	SS Ball Transfer Head (2)
6	780552	Setscrew C-110W (only applies to Q.C. HSG)



### Table Adjust-A-Roll Parts

	Part No	Description
1	780500	AAR Table MDL Q.C.L/Wheel HSG
2	783151	Q.C. Roll HSG with Roller Wheel (1 PR)



INDEPENDENT WHOLESALE WELDING SUPPLY

Ph: 02 8834 2400 Fax: 02 8834 2498 Email: iwws@iwws.net Website: www.iwws.net