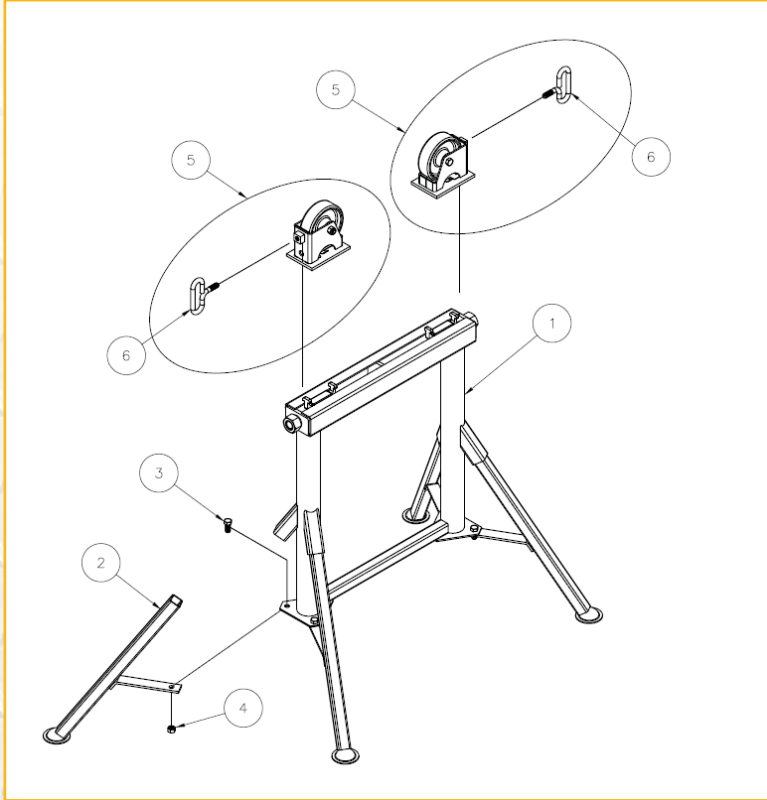


SUMNER

ADJUST A ROLL PARTS



Hi & Lo Adjust-A-Roll Parts

	Part No	Description
1	780433-KD	Tube & Barrel Weldment (suits Lo Roll)
	780436-KD	Tube & Barrel Weldment (Hi Roll)
2	780675-KD	Leg Weldmet, Knock Down Jack
3	771106	Screw, HHC 3/8-16 X 7/8"
4	772355	Nut, Insert Lock 3/8-16"
5	783151	Q.C.Roll HSG with Roller Wheels (1 PR)
	783152	Q.C.Roll HSG with Rubber Wheels (1 PR)
	783153	Q.C.Roll HSG with Stainless Steel Wheels (1 PR)
	783154	Q.C.Ball-Transfer Head (1 PR)
	783155	Quick Change Barstock Head
	783159	SS Ball Transfer Head (2)
6	780552	Setscrew C-110W (only applies to Q.C. HSG)

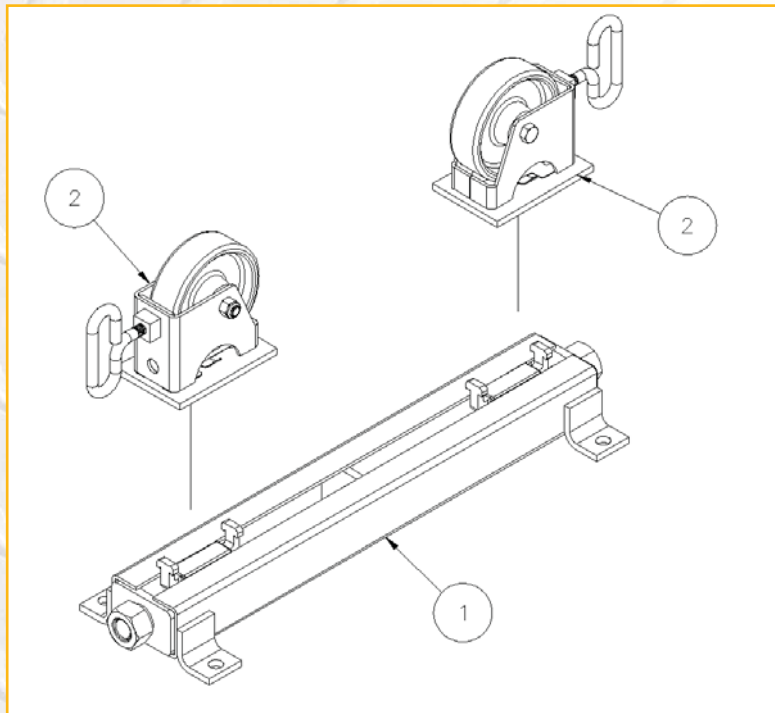


Table Adjust-A-Roll Parts

	Part No	Description
1	780500	AAR Table MDL Q.C.L/Wheel HSG
2	783151	Q.C. Roll HSG with Roller Wheel (1 PR)

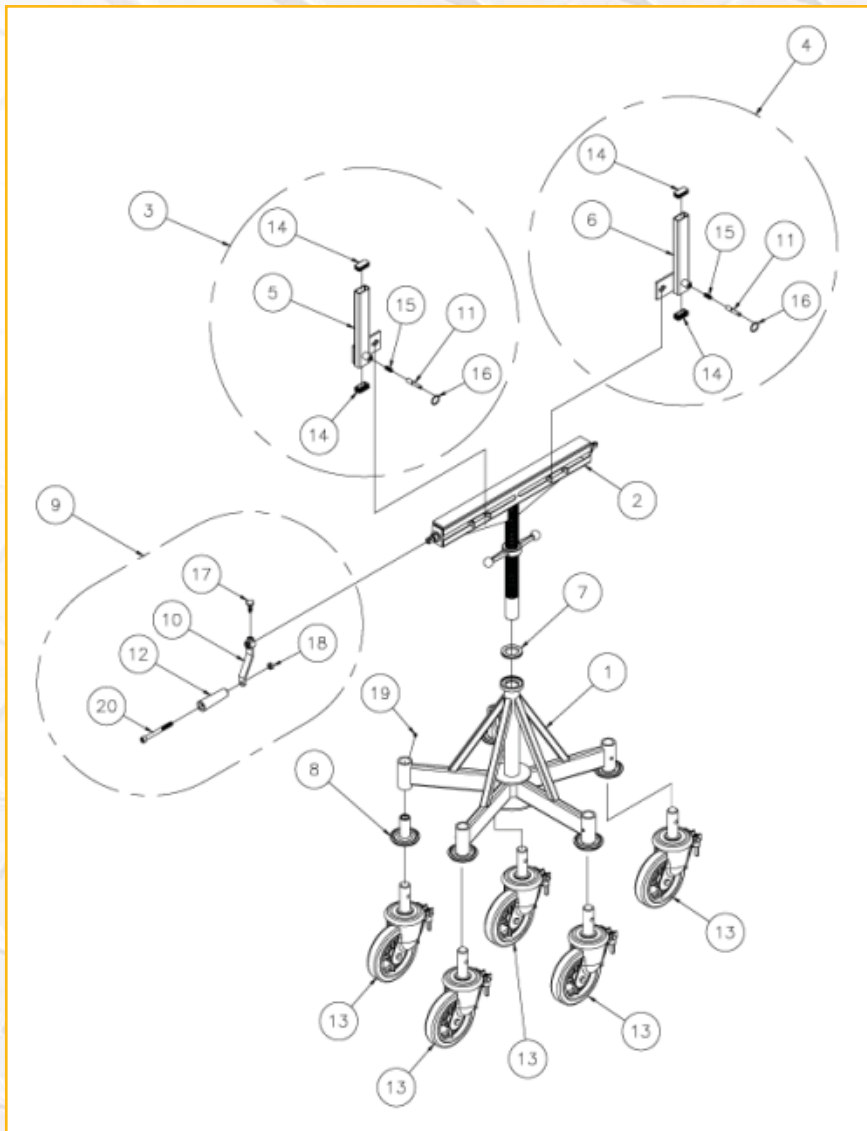


INDEPENDENT WHOLESALE WELDING SUPPLY

Ph: 02 8834 2400 Fax: 02 8834 2498 Email: iwws@iwws.net Website: www.iwws.net

SUMNER

BEAM - JAX PARTS



	Part No	Description
1	781459	Base Weldment, Max-Jax (5 Leg)
2	781490	Beam Jax Head Assembly
3	781500	Clamp, Left Beam Jax
4	781501	Clamp, Right Beam Jax
5	781504	Clamp Arm Weldment, Left
6	781505	Clamp Arm Weldment, Right
7	781425	Thrust Washer
8	781396	Max Jax Leveling Pad
9	784185	Winch Handle Assy, Beam Jax
10	784186	Winch Handle Weldment, Beam Jax

	Part No	Description
11	782510	Plunger
12	780182	Winch Handle Sleeve
13	779023	Caster, Roller Wheel
14	779930	Cap, 1 x 2 Rect Tube, Black
15	776212	Spring, #C0480-042-1250-M
16	775110	Split-Ring 1-1/4" (31.7 mm) NICK.PLTD.
17	774180	Spring Plunger, 1/4" (6.35 mm) Dia
18	772358	Nut, Hex Jam Lock 1/2-13" (12.7 - 330.2 mm)
19	771460	Screw, SHSS 3/8-16 X 3/8 (9.52 - 406.4 mm x 9.52 mm) Cup PT
20	771254	SHCS 1/2-13 X 5 (12.7 - 330.2 mm x 127 mm)



INDEPENDENT WHOLESALE WELDING SUPPLY

Ph: 02 8834 2400 Fax: 02 8834 2498 Email: iwws@iwws.net Website: www.iwws.net

SUMNER

MAX JAX BIG V PARTS



	Part No	Description
1	780261	Base Weldment, Big-V-Jack
2	781415	Big Vee Head Assembly W/Spanner Nut



INDEPENDENT WHOLESALE WELDING SUPPLY

Ph: 02 8834 2400 Fax: 02 8834 2498 Email: iwws@iwws.net Website: www.iwws.net

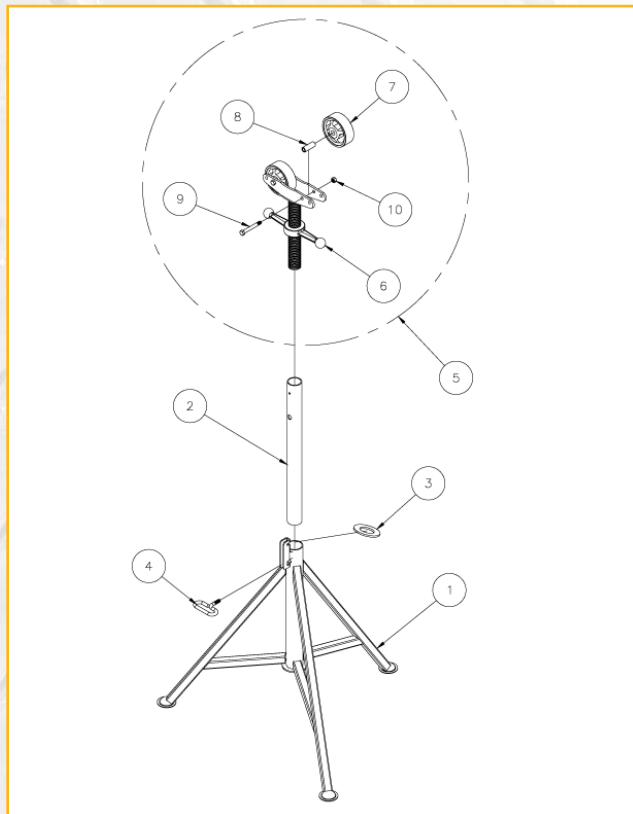
SUMNER

FAB SAF JACK PARTS



780395 Vee Head Parts

	Part No	Description
1	780332	Fab Saf Base Weldment
2	780424	Hi ID BBL PLN 20.5" (520.7 mm) Large
3	780510	Lock Washer J-20A
4	780552	Set Screw C-110W
5	781376	Fat Jack Vee Head



780400 Roller Head Parts

	Part No	Description
1	780332	Fab Saf Base Weldment
2	780424	Hi ID BBL PLN 20.5" (520.7 mm) Large
3	780510	Lock Washer J-20A
4	780552	Set Screw C-110W
5	781370	Fat Jack Roller Head
6	780233	Roller Head Weldment with Adjustable Screw
7	779055	Wheel, Powdered Metal
8	775031	Bush, BZ 3/8 X 5/8 X 1-3/4 (9.52 x 15.87 x 44.4 mm)
9	771099	Screw, HHC 3/8-16 X 3 (9.52 - 406.4 x 76.2 mm) Modified
10	772355	Nut, Insert Lock 3/8-16 (9.52 - 406.4 mm)

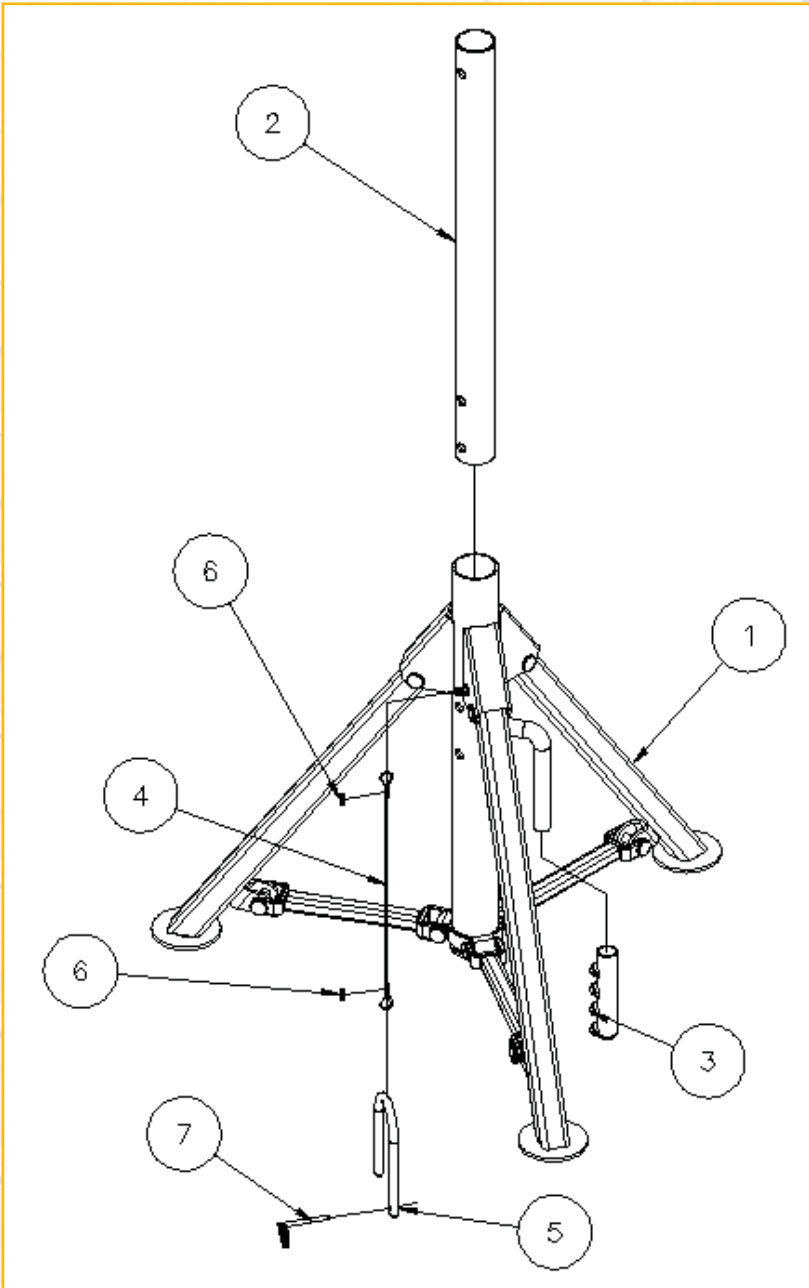


INDEPENDENT WHOLESALE WELDING SUPPLY

Ph: 02 8834 2400 Fax: 02 8834 2498 Email: iwws@iwws.net Website: www.iwws.net

SUMNER

FAT JACK PARTS



	Part No	Description
1	785266	Base Weldment, Fat Jack Mid
	785267	Base Weldment, Fat Jack Lo
	785265	Base Weldment, Fat Jack Max
2	785271	ID Barrel, Fat Jack Mid
	785270	ID Barrel, Fat Jack Max
	785272	ID Barrel, Fat Jack Lo
3	779531	Grip, Hand (Yellow) FAJ
4	774210	Cable, 1/16" (1.58 mm) 7 X 7 (177.8 x 177.8 mm) GALV AC (16" (406.4 mm) Large)
5	774047	Pin, HD Fat Jack
6	774066	Ferrel, Duplex Aluminium 1/16" (1.58 mm)
7	779412	Pin Detent 3/16 X 1-1/2 (4.76 x 38.1 mm) Large

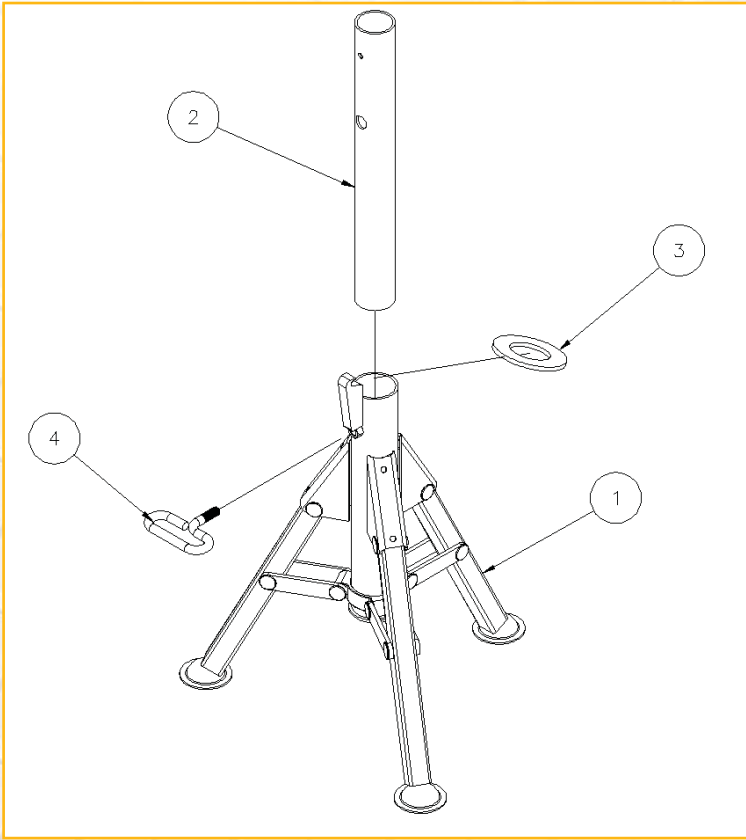


INDEPENDENT WHOLESALE WELDING SUPPLY

Ph: 02 8834 2400 Fax: 02 8834 2498 Email: iwws@iwws.net Website: www.iwws.net

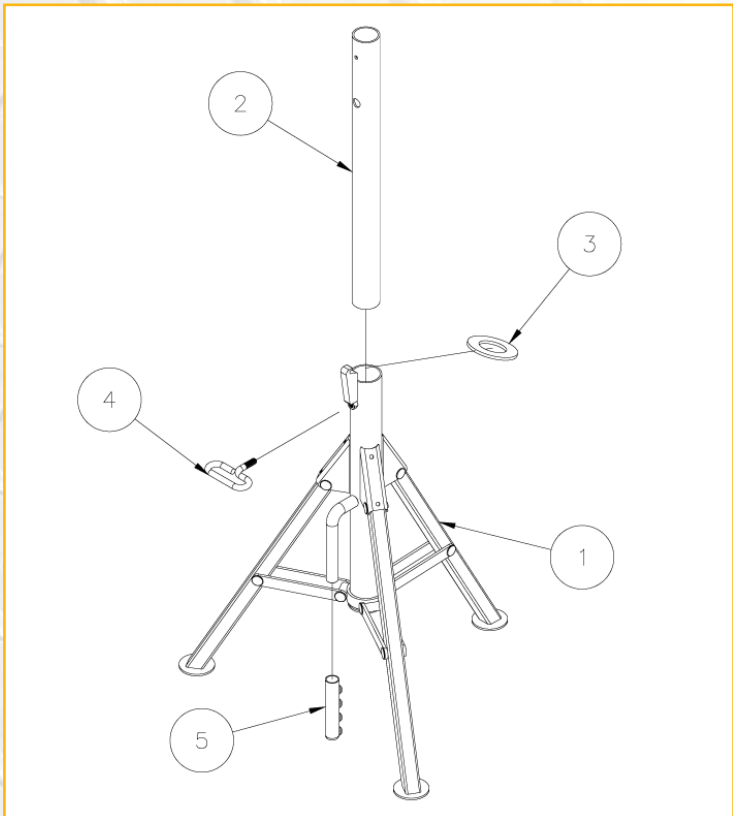
SUMNER

FOLD A JACK PARTS



Lo Fold A Jack Parts

	Part No	Description
1	781360	Base Weldment, Lo Fold a Jack
2	780422	Lo ID BBL PLN 14.5" (368.3 mm) Large
3	780510	Lock Washer J-20A
4	780552	Set Screw C-110W



Hi Fold A Jack Parts

	Part No	Description
1	781309	Base Weldment, Hi Fold a Jack
2	780424	Hi ID BBL PLN 20.5" (520.7 mm) Large
3	780510	Lock Washer J-20A
4	780552	Set Screw C-110W
5	779531	Grip, Hand (Yellow) Fold a Jack

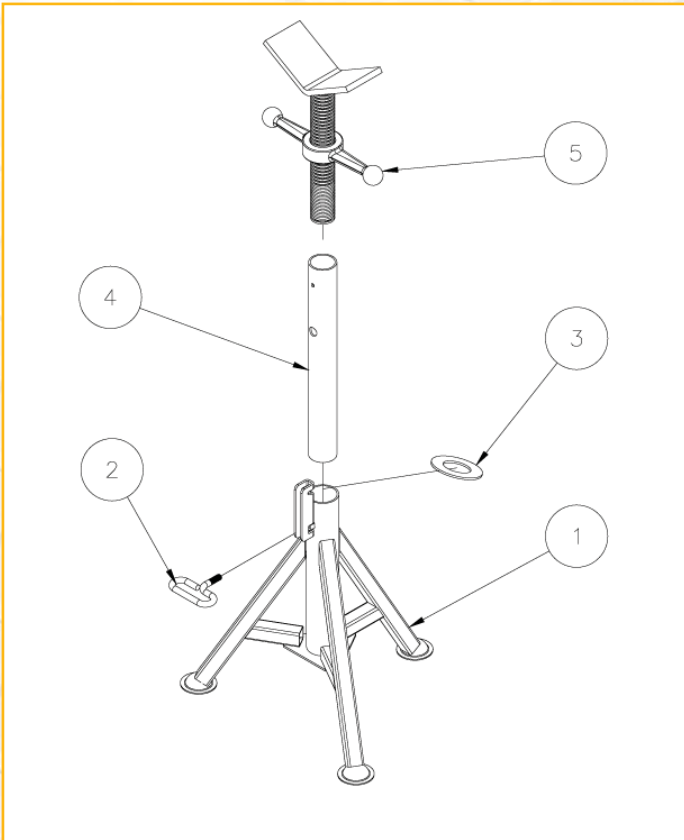


INDEPENDENT WHOLESALE WELDING SUPPLY

Ph: 02 8834 2400 Fax: 02 8834 2498 Email: iwws@iwws.net Website: www.iwws.net

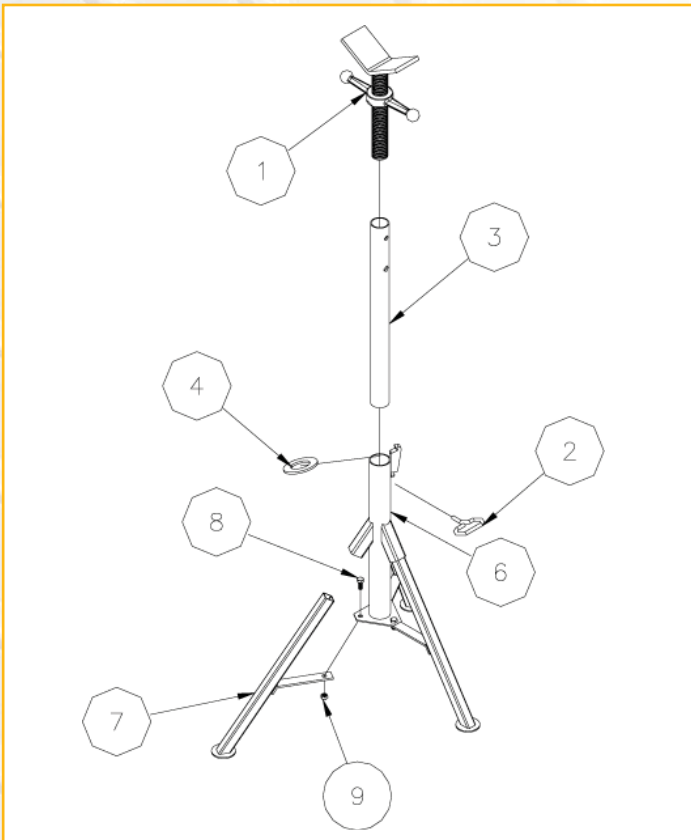
SUMNER

HEAVY DUTY JACK



Lo Heavy Duty Jack Parts

	Part No	Description
1	780520	Base Weldment, HD Lo Jack J15LF
2	780552	Set Screw C-110W
3	780510	Lock Washer J-20A
4	780422	Lo ID BBL PLN 14.5" (368.3 mm) Large
5	780518	Vee HD Assembly, B-16F



Hi Heavy Duty Jack Parts

	Part No	Description
1	780518	Vee HD Assembly, B-16F
2	780552	Set Screw C-110W
3	780424	Hi ID BBL PLN 20.5" (520.7 mm) Large
4	780510	Lock Washer J-20A
5	780511	Base Weldment, HD Hi Jack J15HF (shown disassembled)
6	780578-KD	Barrel Weldment Hi HD
7	780675-KD	Leg Weldment, Knock Down Jack
8	771106	Screw, HHC 3/8-16 X 7/8" (9.52 - 406.4 x 22.2 mm)
9	772355	Nut, Insert Lock 3/8-16" (9.52 - 406.4 mm)

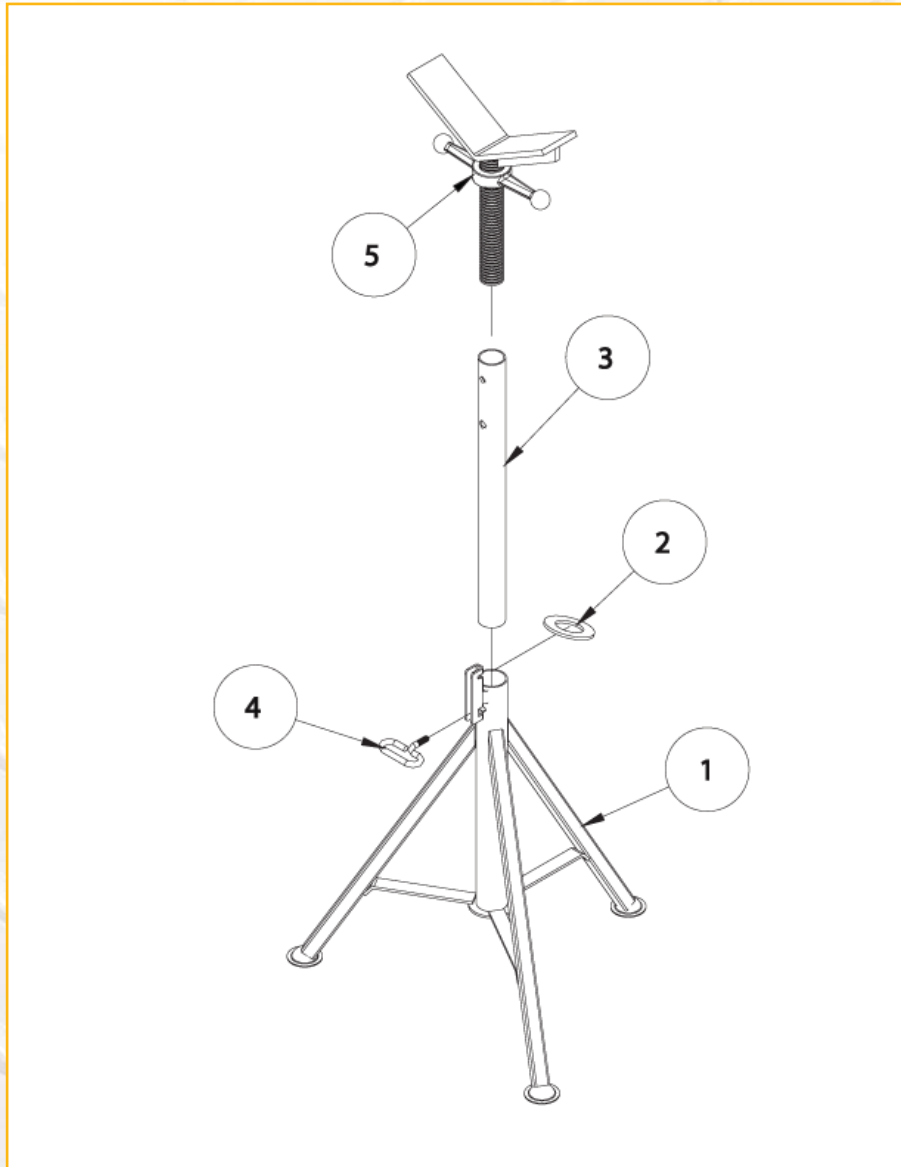


INDEPENDENT WHOLESALE WELDING SUPPLY

Ph: 02 8834 2400 Fax: 02 8834 2498 Email: iwws@iwws.net Website: www.iwws.net

SUMNER

HEAVY DUTY JACK PLUS PARTS



	Part No	Description
1	780511	Base Weldment, HD Hi-Jack J15HF
2	780510	Lock Washer J-20A
3	780424	Hi ID BBL PLN 20.5" (520.7 mm) Large
4	780552	Set Screw C-110W
5	780918	Vee Head Assembly, Ribbed HD

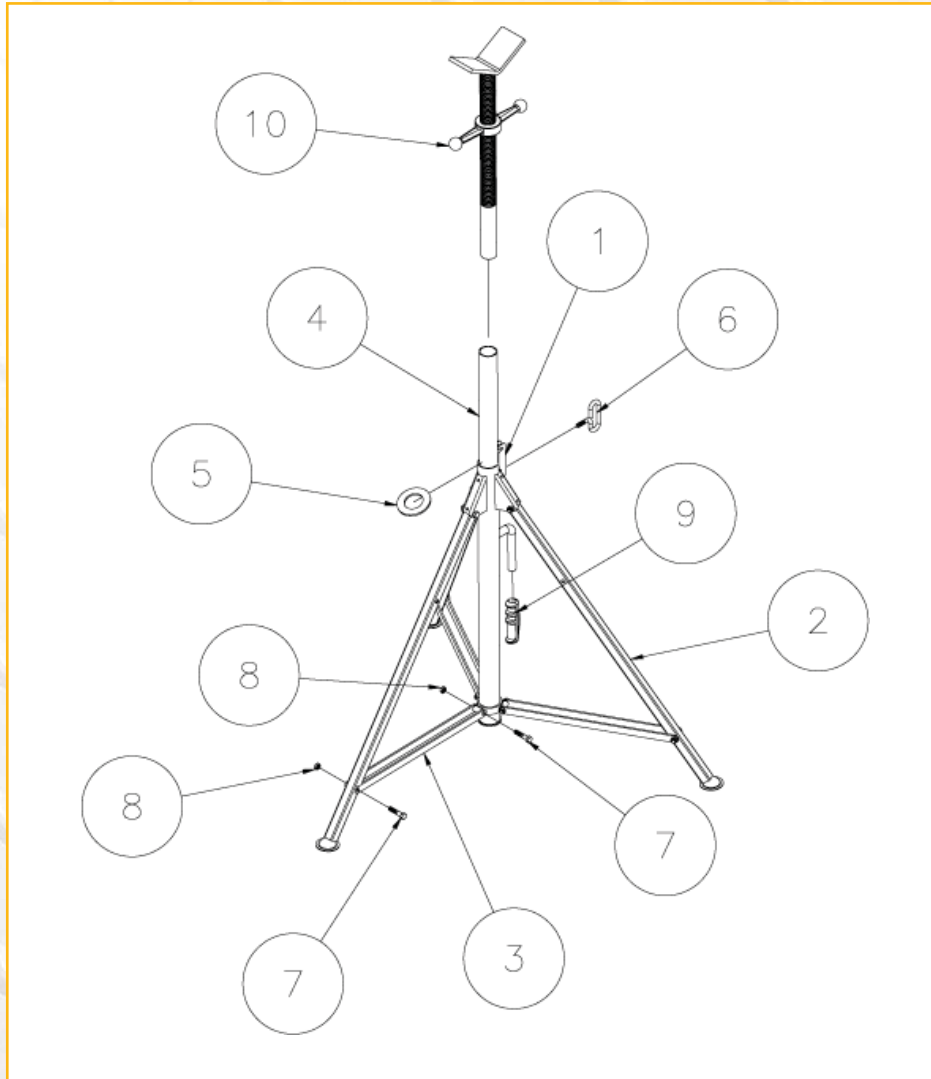


INDEPENDENT WHOLESALE WELDING SUPPLY

Ph: 02 8834 2400 Fax: 02 8834 2498 Email: iwws@iwws.net Website: www.iwws.net

SUMNER

HI BOY JACK STAND PARTS



	Part No	Description
1	783251	OD Barrel Weldment
2	783255	Leg Weldment
3	783253	Strut
4	783259	Barrel, ID
5	780510	Lock Washer J-20A
6	780552	Set Screw C-110W
7	771100	Screw, HHC 3/8-16 X 1-3/4" (9.52 - 406.4 x 44.4 mm)
8	772350	Nut, Insert Jam 3/8-16 (9.52 - 406.4 mm)
9	779528	Grip, Hand (Black) (Model 1 & 2)
10	783257	V-Head Assembly, Hi

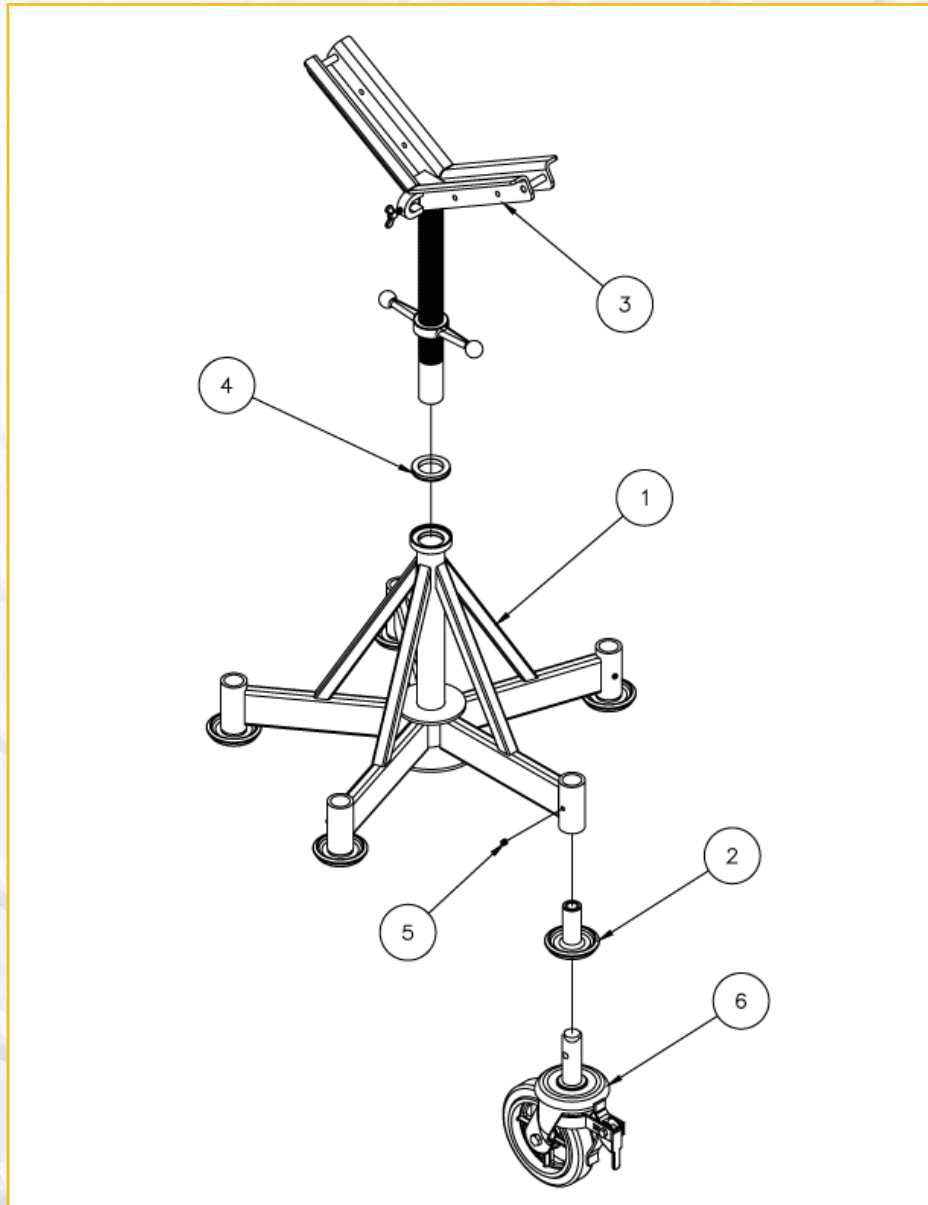


INDEPENDENT WHOLESALE WELDING SUPPLY

Ph: 02 8834 2400 Fax: 02 8834 2498 Email: iwws@iwws.net Website: www.iwws.net

SUMNER

MAX JAX PARTS



Part No	Description
1 781459	Base Weldment, Max - Jax (5 Leg)
2 781396	Max Jax Leveling Pad
3 781415	Big Vee Head Assembly W/Spanner Nut
4 781425	Thrust Washer
5 771460	Screw, SHSS 3/8-16 x 3/8" (9.52 - 406.4 x 9.52 mm) Cup PT
6 779023	Caster, Roller Wheel
781464	Caster Kit (5) Standard
781465	Caster Kit (5) Steel Casters

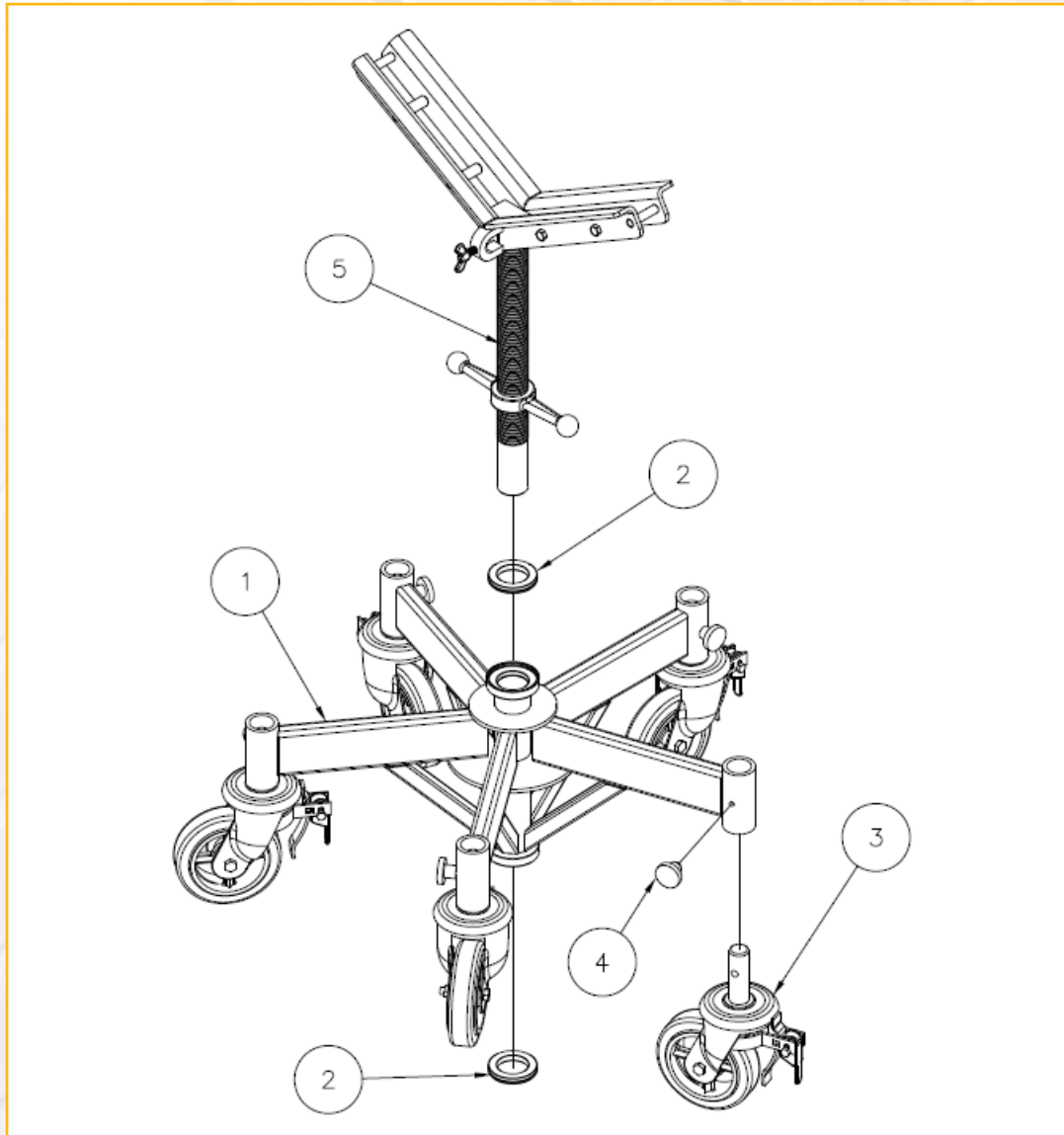


INDEPENDENT WHOLESALE WELDING SUPPLY

Ph: 02 8834 2400 Fax: 02 8834 2498 Email: iwws@iwws.net Website: www.iwws.net

SUMNER

MAX JAX 2 PARTS



	Part No	Description
1	786455	Max Jax 2 - Base Weldment
2	781425	Thrust Washer
3	779048	Caster, 6" (152.4 mm) Swivel - Max Jax 2
4	786459	Set Screw Assembly, Max Jax 2
5	781417	Big Vee HD Assembly W/Spanner Nut Max Jax 2

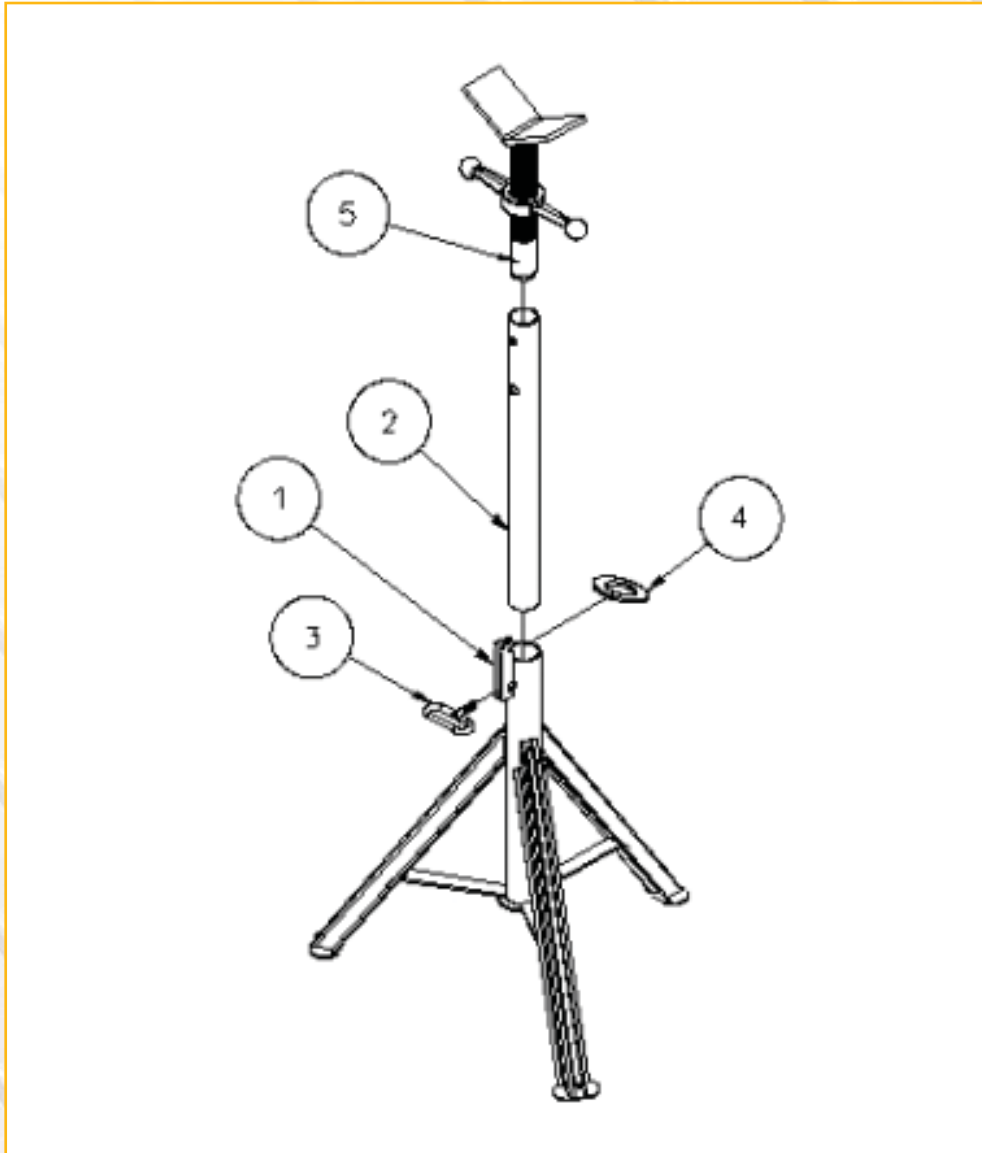


INDEPENDENT WHOLESALE WELDING SUPPLY

Ph: 02 8834 2400 Fax: 02 8834 2498 Email: iwws@iwws.net Website: www.iwws.net

SUMNER

PRO JACK PARTS



	Part No	Description
1	780516	Base Weldment, Hi Pro Jack
2	780424	Hi ID BBL PLN 20.5" (520.7 mm) Large
3	780552	Set Screw C-110W
4	780510	Lock Washer J-20A
5	780518	Vee HD Assembly, B-16F

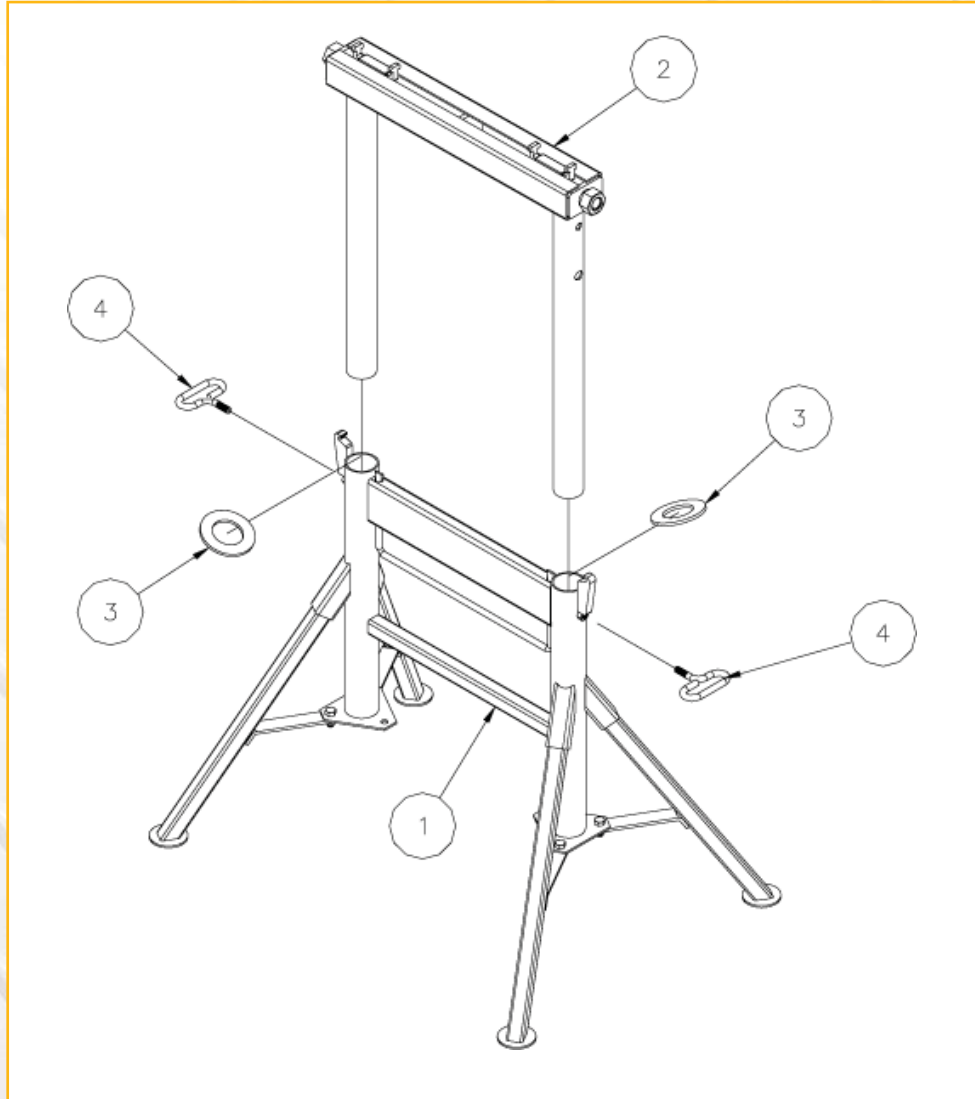


INDEPENDENT WHOLESALE WELDING SUPPLY

Ph: 02 8834 2400 Fax: 02 8834 2498 Email: iwws@iwws.net Website: www.iwws.net

SUMNER

PRO ROLL PARTS



	Part No	Description
1	780439	Pro Roll Base Weldment
2	783111	Barrel Weldment, Far & Pro
3	780510	Lock Washer J-20A
4	780552	Set Screw C-110W
5	783159	Stainless Steel Ball Transfer Head (2)
	783155	Quick Change Barstock Head
	783153	Q.C.Roll HSG with Stainless Steel Wheel (1 PR)
	783152	Q.C.Roll HSG with Rubber Wheel (1 PR)
	783151	Q.C.Roll HSG with Roller Wheel (1 PR)
	783154	Q.C.Ball - Transfer Head (1 PR)



INDEPENDENT WHOLESALE WELDING SUPPLY

Ph: 02 8834 2400 Fax: 02 8834 2498 Email: iwws@iwws.net Website: www.iwws.net