

# SUMNER

## PRO JACK

- Up to 1,135 kg Load capacity • Jack independently load tested for quality assurance
- Backed by forty years of jack stand manufacturing experience

Interchangeable heads to match the job (see below options)

Galvanized inside tube resists corrosion

Quick action lock washer for fast height positioning

Patented Fall Guard feature allows 1" (2.5 cm) safety zone around lock washer

4" (10 cm) wide vee head 120° angle ideal for pipe up to 24" (61 cm) in diameter

The large adjustment screw works easily with gloved hands, turns easily with loads up to 2,500 lbs (1,135 kg)

Set screw for double margin of safety  
Can lock jack head to stand no loose pieces

Formed steel legs

Strut tension plate for superior lateral support



**Standard Vee Head**  
780518 - Carbon Steel  
780498 - Stainless Steel



**Ball Transfer Head**  
780518 & 780551 - Carbon Steel  
780518 & 780274 - Stainless Steel  
450kg load cap.



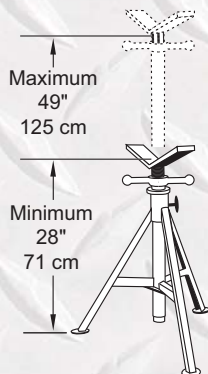
**Steel Wheel Head**  
780514 - Carbon Steel  
780517 - Stainless Steel



**Rubber Wheel Head**  
780499 - Carbon Steel  
450kg load cap.



**Bar Stock Head**  
780519- Carbon Steel (Hi)  
780944 - Carbon Steel (Lo)

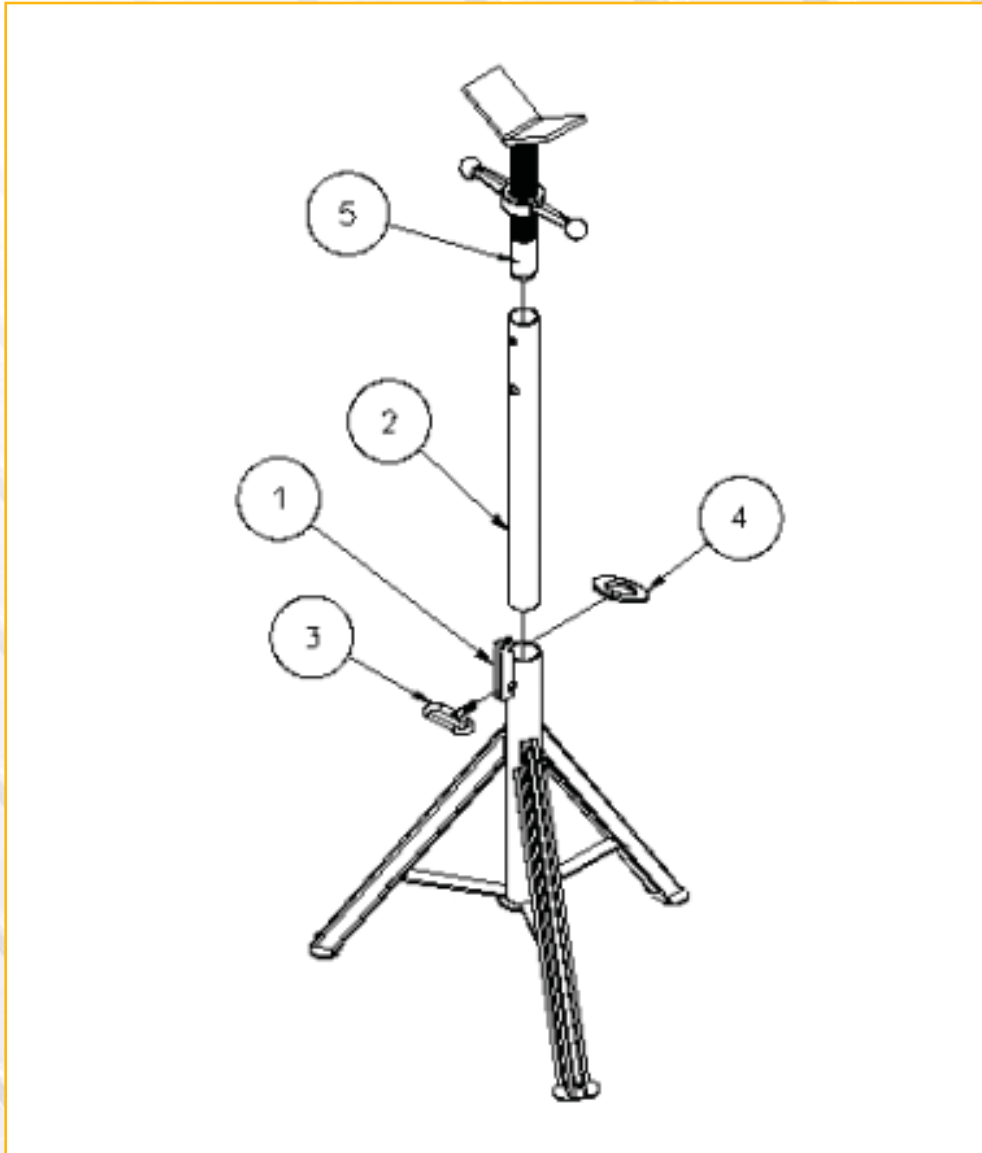


Part No	Description	Kg
780471	Pro Jack w/Vee Head	10.4
780472	Pro Jack w/Roller Head	11.8
780473	Pro Jack w/Bar Stock Head	10.4
780474	Pro Jack w/Stainless Steel Rollers	11.8
780475	Pro Jack w/Stainless Steel Vee Head	10.9
780476	Pro Jack w/Ball Transfer Head	12.7
780477	Pro Jack w/Rubber Wheels	11.4



# SUMNER

## PRO JACK PARTS



	Part No	Description
1	780516	Base Weldment, Hi Pro Jack
2	780424	Hi ID BBL PLN 20.5" (520.7 mm) Large
3	780552	Set Screw C-110W
4	780510	Lock Washer J-20A
5	780518	Vee HD Assembly, B-16F

